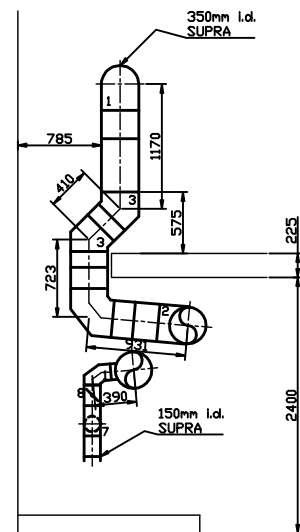
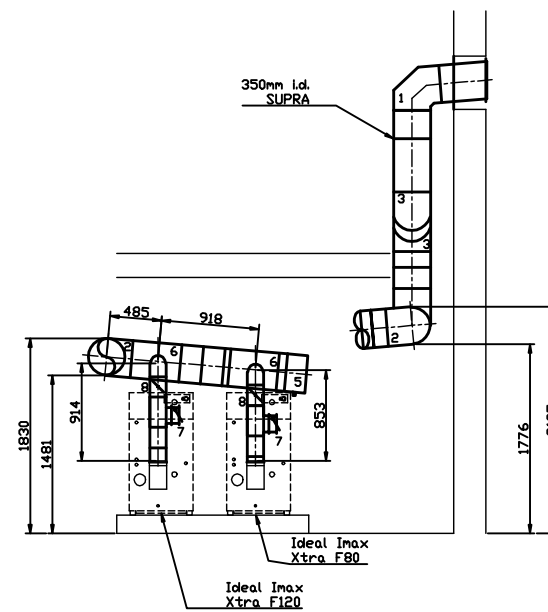


Front Elevation Front Ductwork



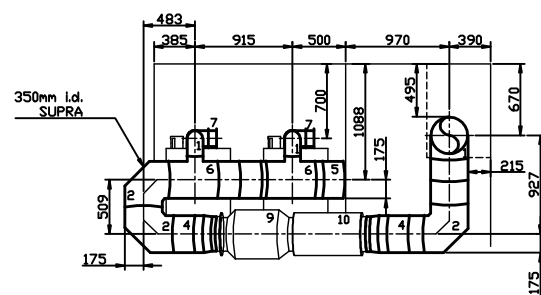
Side Elevation



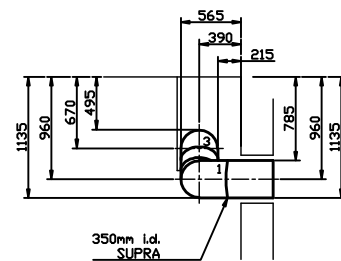
Front Elevation Rear Ductwork

Legend

1. 85deg Elbow
2. 90deg Elbow
3. 45deg Elbow
4. Drain Section
5. Drain Section c/w Mesh End
6. 90deg Red Tee
7. Draught Regulator
8. Balancing Damper
9. Stainless Steel Bifurcated Fan
10. Silencer



Boiler Room Plan



Ground Floor Riser Plan

Flue Dilution System
Ductwork Specification

SFL SUPRA - 316 Stainless steel, fully seam welded vent system c/w leak seal joint.

COMPLETE FLUE SOLUTIONS LTD		12 Littledown Road Charlton Kings Cheltenham GL53 9LP	
DESIGN SUPPLY AND INSTALLATION OF COMMERCIAL FLUE AND EXHAUST SYSTEMS		Tel/Fax: 01242 529777	
Customer Intoheat Ltd		Drawn By S.J.	
Project WTC107, Warminster		Scale 1:50@a3	
Title Flue Dilution System		Date 08/11	
		Rev.	
		Drg No. 3139-1	